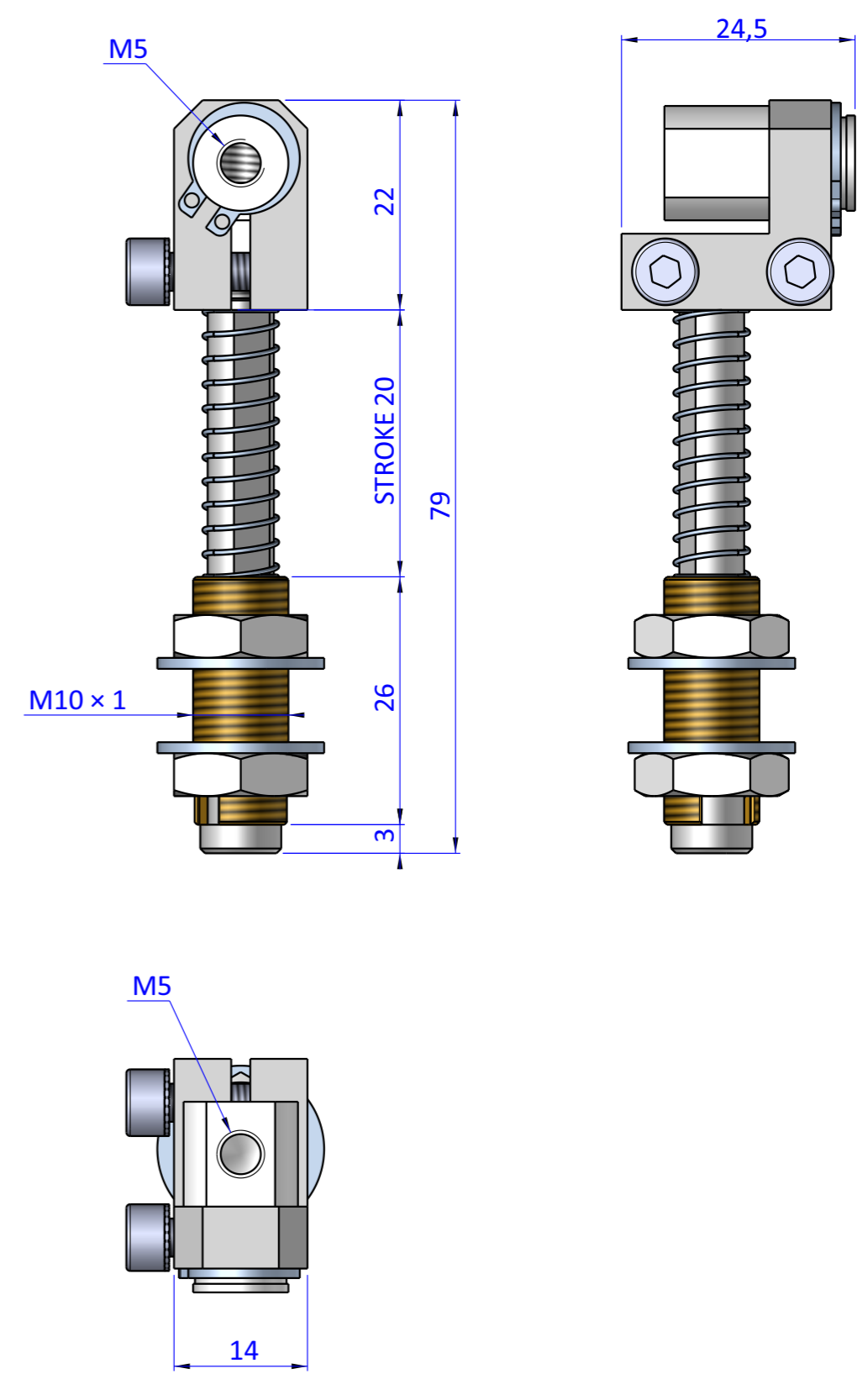
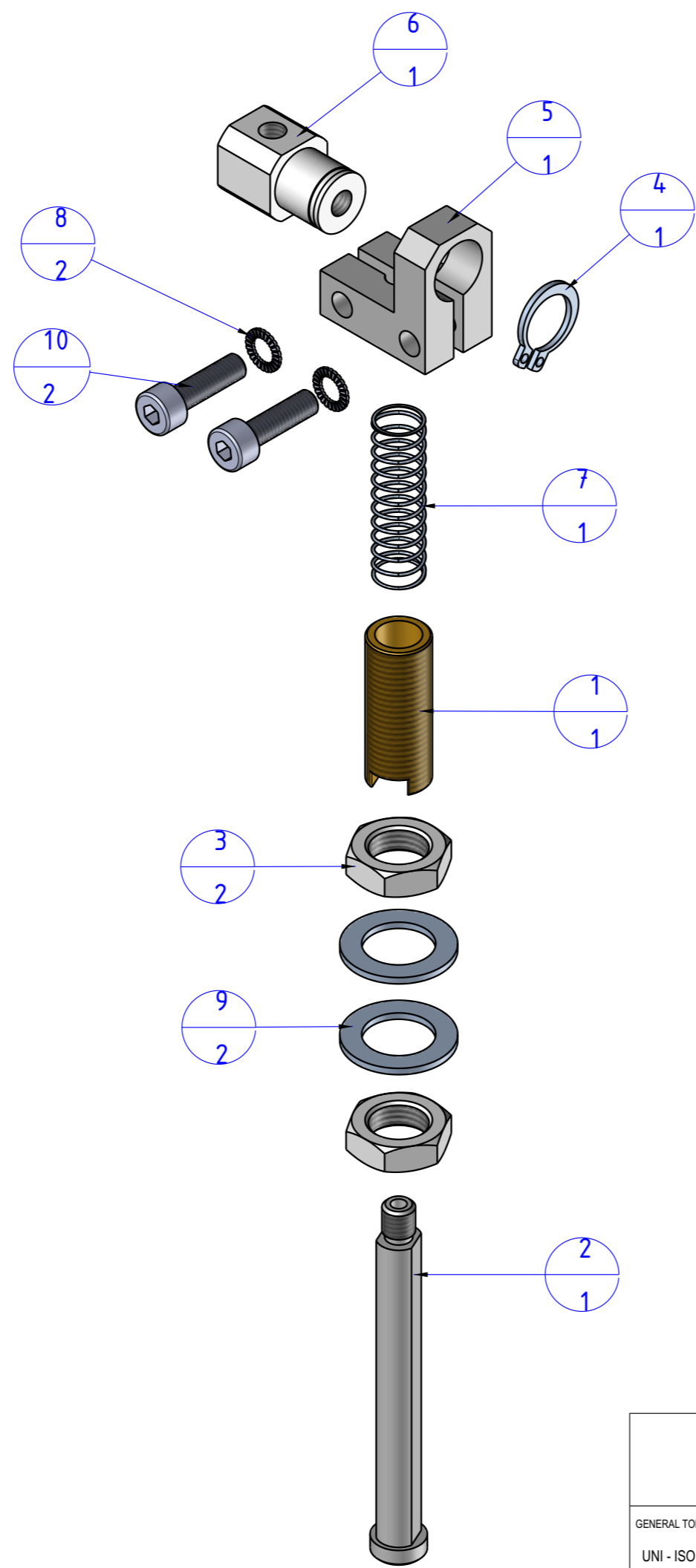



THE PROPERTY OF THE DRAWING IS ESTABLISHED BY LAW. IT IS FORBIDDEN TO PRODUCE OR SHOW IT TO THIRD PART. WITHOUT A WRITTEN AGREEMENT.

Item	Name	Q.ty
1	05.01.005.02	1
2	05.01.005.05	1
3	05.01.005.06	2
4	A.ELA10	1
5	GGs.01.01	1
6	GGs.02.01	1
7	M.8x35.6N	1
8	R.4.SCH	2
9	R.10.SCH	2
10	V.TCE4x14	2



Format A3  
UNI 936-76

 FPS SERVICES AUTOMATION		DESIGNED FROM		REVIEW
		FPS Automation		A
GENERAL TOLERANCE		DATE	WEIGHT	
UNI - ISO 2768		09/09/2020	0,045kg	
CLASSE f		DESCRIPTION	CODE	
		CA.GGSM100520.6N	CA.GGSM100520.6N	